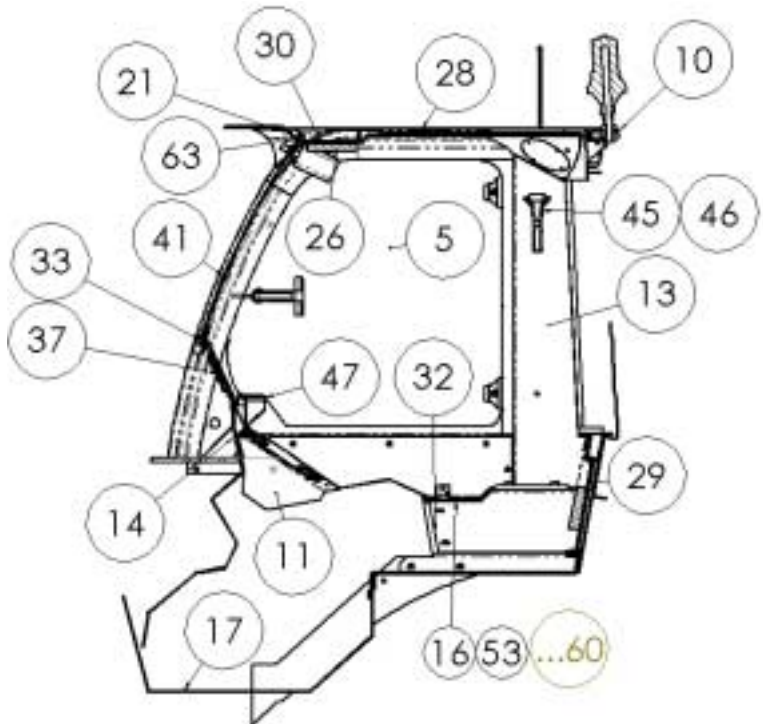
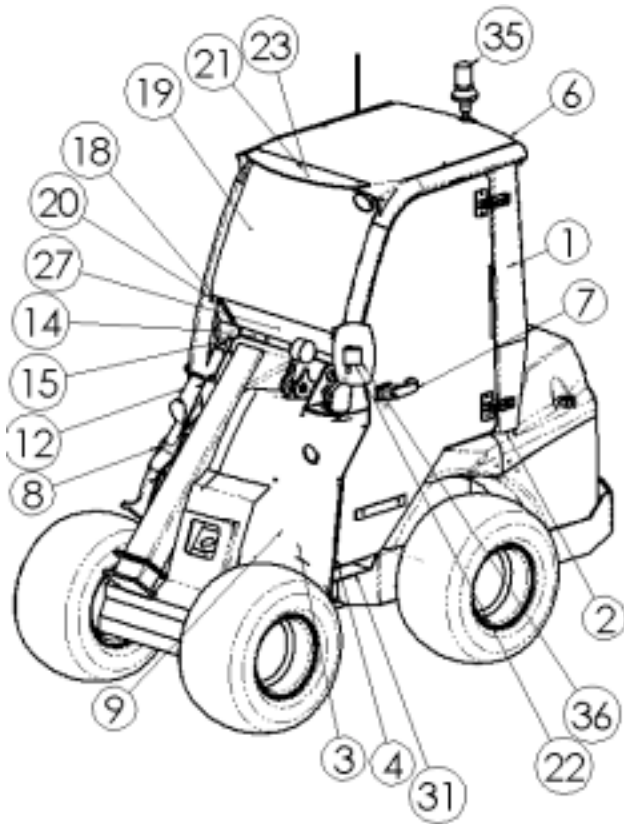


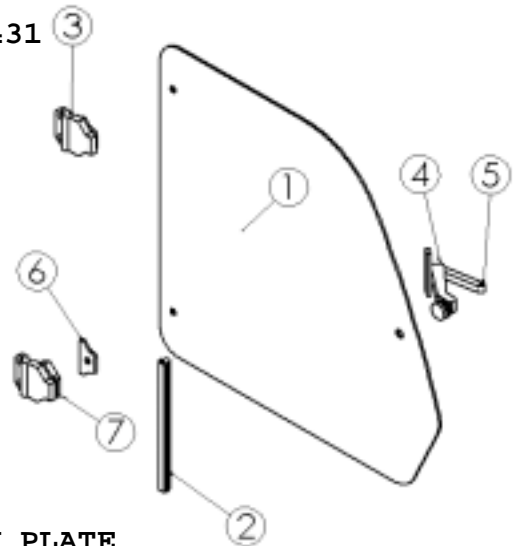
AVANT 600 SERIES CAB A33425



POS.	PART NO.	PCS	DESIGNATION
1	A33420	1	FRAME
2	A33429	1	BOTTOM PLATE
3	A33423	1	HEATER, SEE FOLLOWING PAGES
4	A33424	1	HOUSING
5	A33431	1	WINDOW, RIGHT, SEE FOLLOWING PAGES
6	A47619	1	REAR WINDOW
7	A33434	1	DOOR, SEE FOLLOWING PAGES
8	A33437	1	COVER PLATE, RIGHT
9	A33438	1	COVER PLATE, LEFT
10	A47988	1	BRACKET, BEACON
11	A33440	1	DASHBOARD
12	A47970	1	MOUNTING PLATE, COVER PLATE RIGHT
13	A48102	1	UPHOLSTERY, KIT
	A47972	1	UPHOLSTERY PLATE, RIGHT SIDE
	A47980	1	UPHOLSTERY PLATE, B-COLUMN RIGHT
	A47981	1	UPHOLSTERY PLATE, BACK PART SEAT
	A47982	1	UPHOLSTERY PLATE, B-COLUMN LEFT
	A47984	1	UPHOLSTERY PLATE, FRONT PART CEILING
	A47987	1	UPHOLSTERY PLATE, CEILING LEFT
	A48080	1	UPHOLSTERY PLATE, FOOTWELL
	A48082	1	UPHOLSTERY PLATE, HATCH
	A48100	1	UPHOLSTERY PLATE, FOOTWELL RIGHT
	A48101	1	UPHOLSTERY PLATE, UNDER SEAT
	A48104	1	UPHOLSTERY PLATE, CEILING RIGHT
14	A47983	1	SEALING RUBBER, FRONT PLATE
15	A47994	1	BRACKET, SEALING RUBBER
16	A47979	1	COVER PLATE, SWITCHES
17	A48079	1	CARPET
18	A48085	2	CORNER PLATE, BRACKET FRONT WINDOW
19	A48077	1	WINDSCREEN
20	A48098	2	BRACKET, WINDSCREEN LOWER SIDE
21	A48099	1	BRACKET, WINDSCREEN UPPER SIDE
22	A48258	2	BRACKET, MIRROR
23	A48093	1	VISOR
24	A48273	1	DECAL, "DO NOT OPEN THE DOOR WHEN..."
25	A48274	1	LEVER, CONTROL VALVE
26	64966	1	INDOOR LIGHT
27	A48078	1	FRONT WINDOW
28	A48106	1	NOISE ISOLATION PLATE, CEILING
29	A48105	1	NOISE ISOLATION PLATE, REAR PART
30	64990	1	SUN VISOR, CEILING
31	A33448	1	WINDSCREEN WASHER
32	A48260	1	COVER PLATE, SIDE BOX
33	A48262	1	SEAL, LOWER EDGE WINDSCREEN
34		1	
35	64978	1	BEACON
36	64975	2	REARVIEW MIRROR
37	A48278	1	SEAL, FRONT WINDOW
38	64573	1	BLADE, WINDSCREEN WIPER
39	64572	1	ARMS + NOZZLE, WINDSCREEN WIPER
40	64993	1	MOTOR, WINDSCREEN WIPER
41	A48279	1	SEAL, WINDSCREEN
42			
43	A48281	2	SEAL, HYDRAULIC OIL COOLER
44	A33443	1	WIRE HARNESS

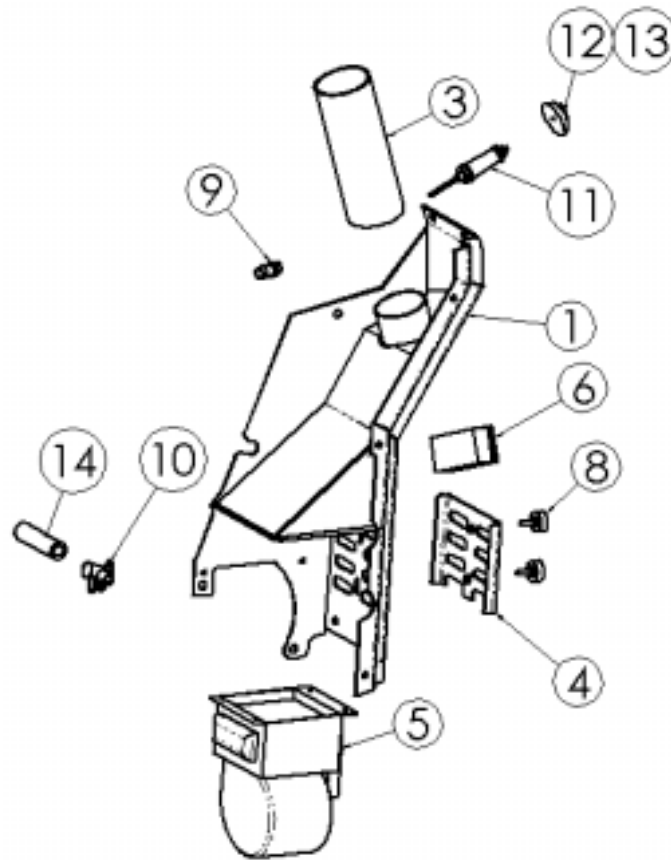
45	64987	1	BRACKET, EMERGENCY HAMMER
46	64986	1	EMERGENCY HAMMER
47	64994	4	NOZZLE, AIR FLOW, ROUND
48	64995	1	RADIO RDS 12V/4*35W
49	64996	2	LOUDSPEAKER 2-WAY 80W
50	64997	1	AERIAL HIRSCHMANN
51			
52	65007	1	PICTOGRAM, HEATER
53	65006	1	MULTI FUNCTION SWITCH, HEATER
54	65009	4	TOGGLE SWITCH, ON/ OFF
55	65010	1	TOGGLE SWITCH, EMERGENCY BLINKERS
56	65013	1	PICTOGRAM, EMERGENCY BLINKERS
57	65011	1	COVER PLATE, BLACK
58	65014	1	PICTOGRAM, BEACON
59	65015	1	PICTOGRAM, WASHER & WIPER
60	65008	1	TOGGLE SWITCH, WASHER & WIPER
61		1	
62		1	
63	A48329	1	EDGING TAPE, UPPER BRACKET WINDSCR.
64	A48303	1	HOUSING , RIGHT
65	64802	1	SEAT BELT, 3-POINT

SIDE WINDOW A33431



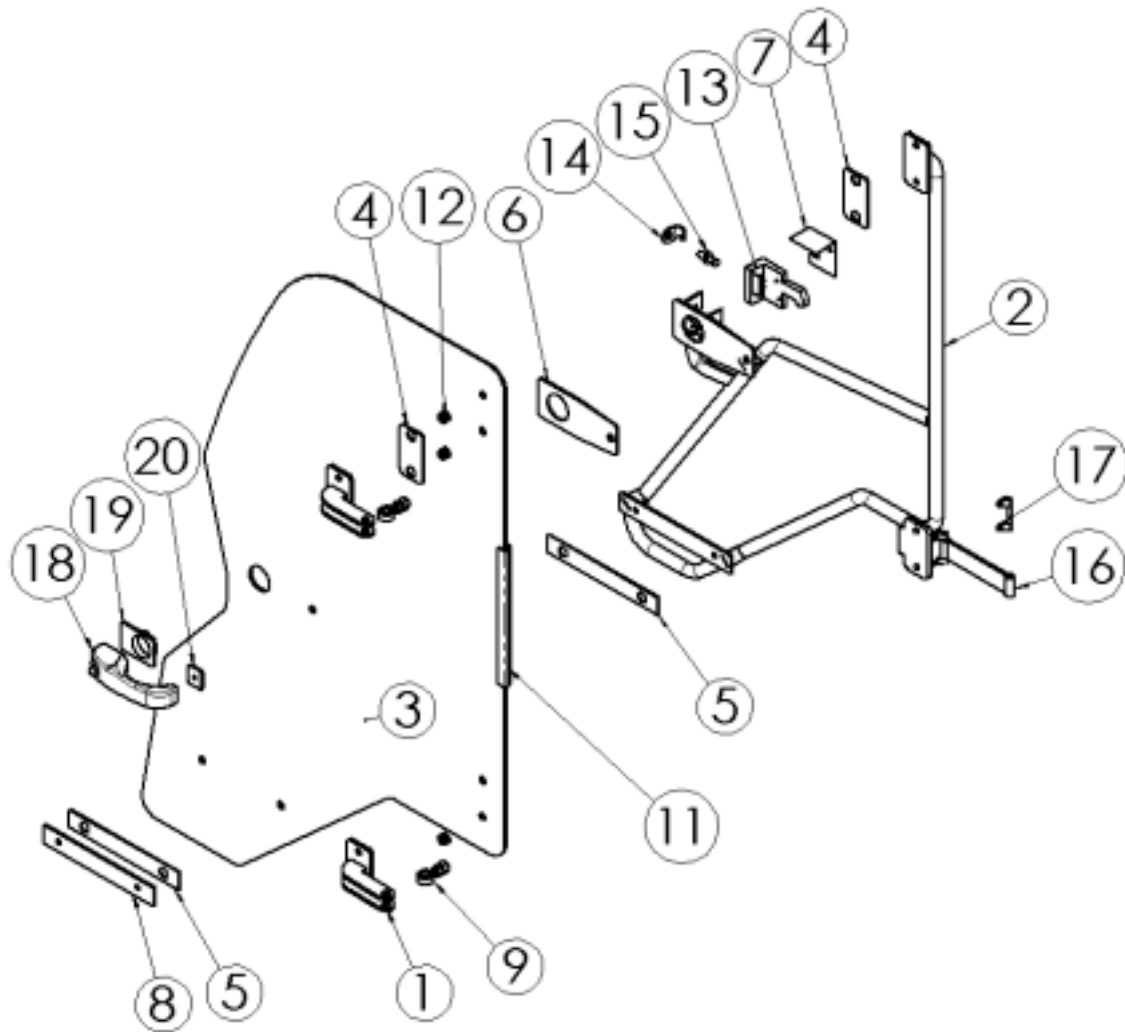
1	A47949	1	SIDE WINDOW PLATE
2	A48264	1	RUBBER SEAL, EDGE
3	64982	2	HINGE
4	64983	1	ADJUSTING MECHANISM + HANDLE
5	74758	1	HEXAGON SOCKET SET SCREW M5*16
6	A47975	2	SEAL, BETWEEN HINGE & WINDOW
7	74462	2	HEXAGON. SOCKET HEAD SCREW

HEATER A33423



POS.	PART NO.	PCS	DESIGNATION
1	A33458	1	HOUSING
2			
3	A48094	1	HOSE, CONNECTION HOSE TO CAB
4	A48249	1	HATCH, AIR CIRCULATION
5	65023	1	HEATER
6	64984	1	NOZZLE, AIR FLOW, LOWER PART CAB
7	A47996	1	WATER HOSE, LOWER, ENGINE
8	64941	2	FINGER SCREW
9	64967	1	HOSE FITTING, HOUSING THERMOSTAT
10	64968	1	TAP, HEATER
11	64970	1	REMOTE CONTROL, WIRE 1M
12	64971	1	KNOB
13	64972	1	BACK PLATE, KNOB
14	A48321	1	HOSE, FROM ENGINE TO HEATER

DOOR A33434



1	A33435	2	HINGE
2	A33436	1	HANDLE
3	A47795	1	DOOR PLATE, GLASS
4	A47950	4	SEAL, BETWEEN DOOR AND HANDLE
5	A47955	2	SEAL, BETWEEN DOOR AND HANDLE
6	A47956	1	SEAL, BETWEEN LOCK AND DOOR
7	A47953	1	COVER PLATE, LOCK
8	A47977	1	PLATE
9	64562	2	ARTICULATION BEARING
10	72323	4	HEXAGONAL NUT
11	A48083	1	SEALING RUBBER
12	64985	4	GROMMET
13	64981	1	LOCK BODY
14	64980	1	GUIDING PLATE
15	64979	1	LOCK PIN
16	64988	1	HOLDER BELT, DOOR
17	64989	2	HOLDER BRACKET, DOOR
18	65025	1	HANDLE, DOOR, WITH LOCK
19	65026	1	SEAL, HANDLE
20	65027	1	SEAL, HANDLE